

# VJ Series

## On/Off and Shut-off Valve

DVJXX1916X012

### Specifications

For other materials or modifications, please consult TESCOM.

#### OPERATING PARAMETERS

Pressure rating per criteria of ANSI/ASME B31.3

##### Maximum Operating Pressure

**316 Stainless Steel Body:** 10,000 psig / 690 bar

**Brass Body:** 6000 psig / 414 bar

##### Design Proof Pressure

150% of rated pressure

##### Leakage

Bubble-tight

##### Operating Temperature

See table

##### Flow Capacity

$C_v = 0.49$  Angle

$C_v = 0.28$  Globe

##### Maximum Operating Torque

15 in-lbs / 1.7 N•m



#### MEDIA CONTACT MATERIALS

##### Body

316 Stainless Steel or Brass

##### Seat

CTFE, Nylatron, PEEK, Teflon®, or Vespel®

##### Back-up Ring

Teflon®

##### O-Ring

Buna-N, Ethylene Propylene, Kalrez®, or Viton®

##### Remaining Parts

Monel and Brass or Stainless Steel

#### OTHER

##### Cleaning

CGA 4.1 and ASTM G93

##### Weight

1.5 lbs / 0.7 kg

Teflon®, Viton-A®, Kalrez®, and Vespel® are registered trademarks of E.I. du Pont de Nemours and Company.

TESCOM VJ Series hand valves offer control pressure of 6000 and 10,000 psig / 414 and 690 bar. Available in angle and globe patterns.

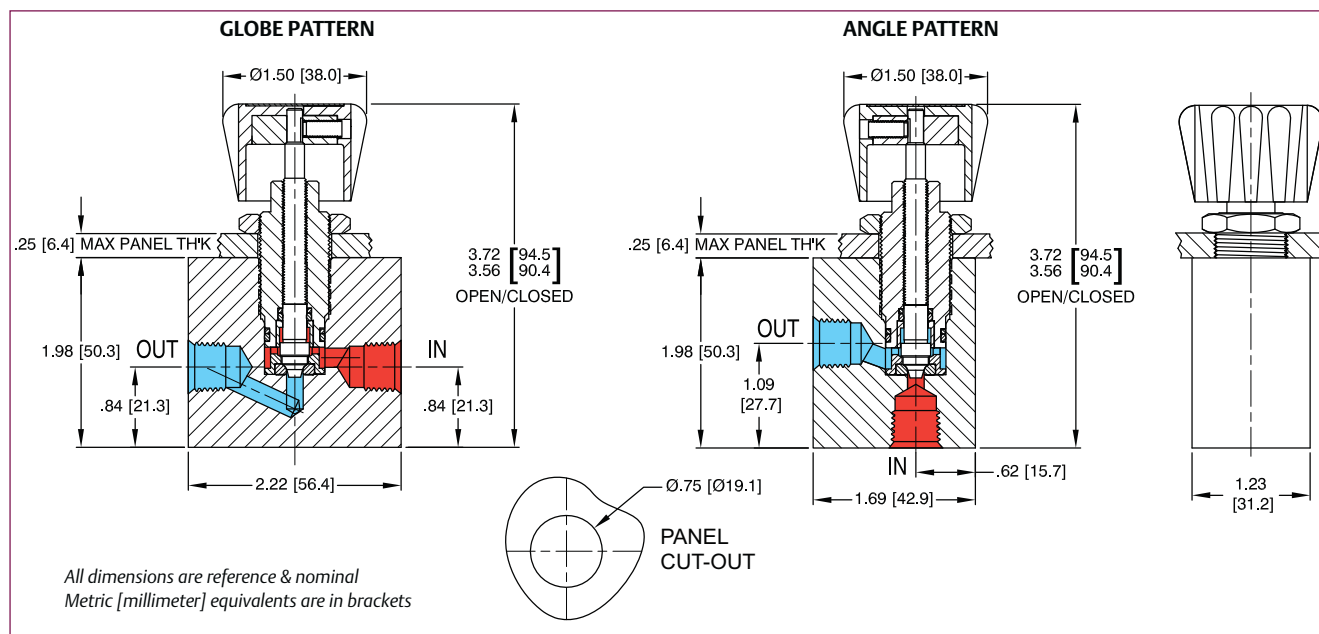
### Applications

- Pressure control panels
- Ground Support Equipment (GSE)

### Features and Benefits

- Versatile bi-directional flow
- Built-in metallic stop prevents overtightening of the valve
- Angle or globe pattern options are available, easy adaptation
- Designed to be O<sub>2</sub> compatible with correct materials of construction

## VJ Series Valve Drawing, Part Number Selector, and Operating Temperature



Repair Kits, Accessories & Modifications may be available for this product. Please contact TESCOM for more information.

Example for selecting a part number:

BASIC SERIES	BODY MATERIAL	PATTERN TYPE	INLET AND OUTLET PORT TYPE	INLET AND OUTLET PORT SIZE	SEAT MATERIAL	O-RING MATERIAL
VJ	1 – Brass 6 – 316 Stainless Steel	0 – Angle 1 – Globe	0 – BSPP 1 – SAE 2 – NPTF 3 – MS33649	04 – 1/4" 06 – 3/8" (available in globe pattern only)	K – CTFE P – PEEK T – Teflon® V – Vespel®	D – Buna-N E – Ethylene Propylene K – Kalrez® V – Viton®

### Operating Temperature

SEAT MATERIAL	O-RING	MAXIMUM OPERATING PRESSURE	OPERATING TEMPERATURE
Teflon® Teflon® Teflon® Teflon®	Buna-N Kalrez® Viton® Ethylene Propylene	<b>Brass:</b> 3500 psig / 241 bar <b>Stainless Steel:</b> 3500 psig / 241 bar	-40°F to 165°F / -40°C to 74°C 20°F to 250°F / -7°C to 121°C -15°F to 250°F / -26°C to 121°C -40°F to 250°F / -40°C to 121°C
PEEK PEEK PEEK PEEK	Buna-N Kalrez® Viton® Ethylene Propylene	<b>Brass:</b> 6000 psig / 414 bar <b>Stainless Steel:</b> 10,000 psig / 690 bar	-40°F to 165°F / -40°C to 74°C 20°F to 250°F / -7°C to 121°C -15°F to 250°F / -26°C to 121°C -15°F to 250°F / -26°C to 121°C
CTFE CTFE CTFE CTFE	Buna-N Kalrez® Viton® Ethylene Propylene	<b>Brass:</b> 6000 psig / 414 bar <b>Stainless Steel:</b> 6000 psig / 414 bar	-40°F to 165°F / -40°C to 74°C 20°F to 250°F / -7°C to 121°C -15°F to 250°F / -26°C to 121°C -40°F to 250°F / -40°C to 121°C
Vespel® Vespel® Vespel® Vespel®	Buna-N Kalrez® Viton® Ethylene Propylene	<b>Brass:</b> 6000 psig / 414 bar <b>Stainless Steel:</b> 10,000 psig / 690 bar	-40°F to 165°F / -40°C to 74°C 20°F to 250°F / -7°C to 121°C -15°F to 250°F / -26°C to 121°C -40°F to 250°F / -40°C to 121°C